

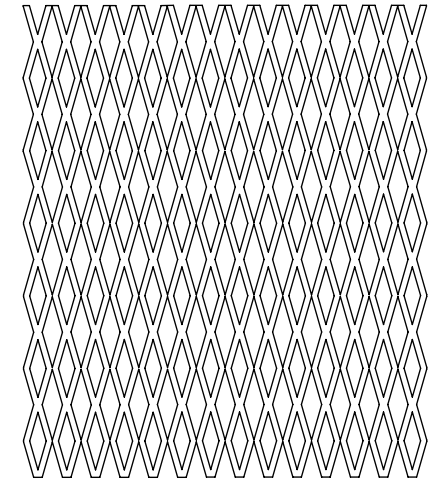
4

3

2

1

PATRIOT FULLY FRAMED TURNOUT LOCKER



#13 FLAT. EXP. METAL

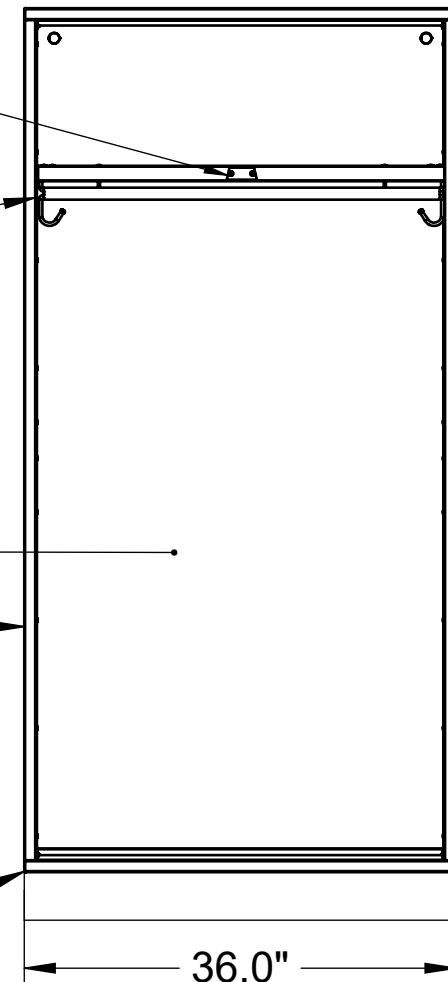
ALUMINUM NUMBER PLATE
(FIELD INSTALL)

TWO COAT ROD HOOKS
COAT ROD, TWO REAR
COAT HOOKS

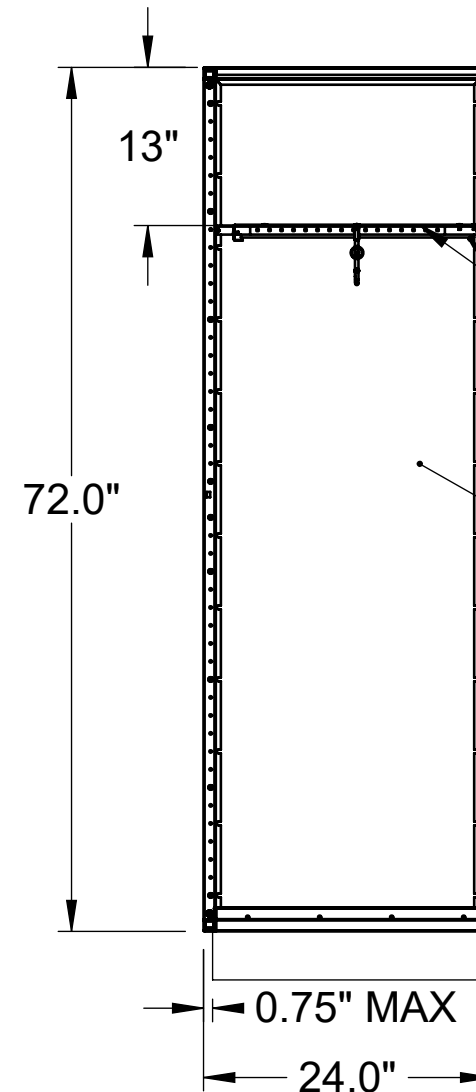
18GA. SOLID BACK

16GA. FRAME ASSEMBLY

FULL FRAME CONSTRUCTION
8 INTEGRAL CAST CORNER PIECES



36.0"



13"

72.0"

0.75" MAX

24.0"

ANCHOR LOCKERS TIGHT
TO WALL @ 36" O.C.
(ANCHORS BY OTHERS)

16GA TOP, BOTTOM, &
INTERMEDIATE SHELF

#13 FLAT. EXP. SIDES
SOLID 16GA OPTIONAL

ANCHOR LOCKERS TIGHT
TO BASE / FLOOR @ 36" O.C.
(ANCHORS BY OTHERS)

CONCRETE BASE SHOWN (BY OTHERS)
AVAILABLE OPTIONAL 4" OR 6" CHANNEL BASE

AVAILABLE AS WELDED OR KNOCK DOWN
AVAILABLE DEPTHS 18 DEEP ONLY ON 18 & 24 WIDE, 24 DEEP
AVAILABLE WIDTHS 18, 24, 30, 36, 42, 48
AVAILABLE HEIGHT 72, 78
AVAILABLE SIDE PERFORATIONS SOLID, FLAT. EXP. METAL, &
DIAMOND SIDE ONLY ON 72" HEIGHT SIDES
AVAILABLE BASE OPTIONS NO BASE, 4 OR 6 INCH CHANNEL BASE

AVAILABLE INTERIOR COMPONENTS
CELL TRAY, CENTER PARTITION, COAT ROD, DOCUMENT SLEEVE, DRAWERS,
FOOT LOCKER, HALF SHELF, INNER COMPARTMENT DOOR, METAL SEAT,
SECURITY BOX, SHELF, & WOODEN SEAT



4

3

2

1

B

B

A

A