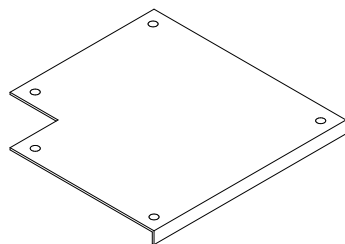
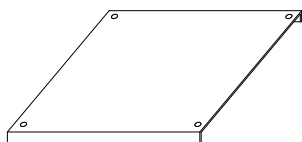


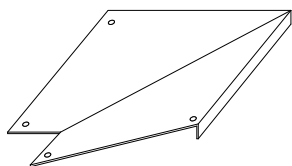
FLAT TOP FILLER



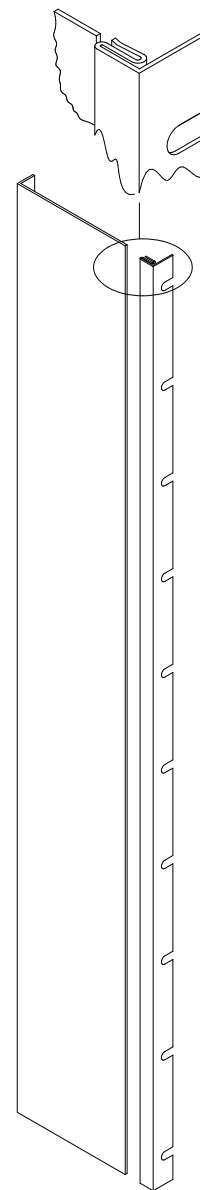
FLAT TOP CORNER FILLER



SLOPE TOP FILLER



SLOPE TOP CORNER FILLER



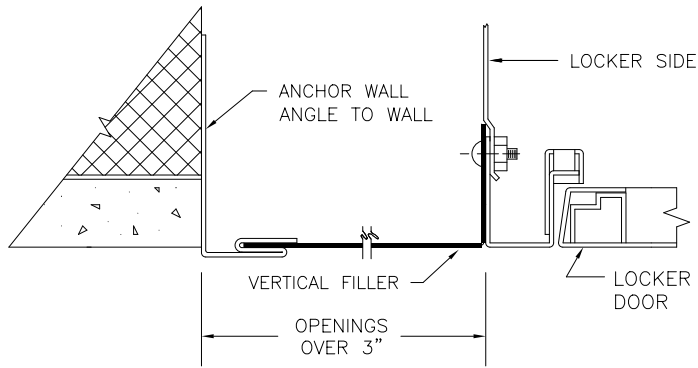
VERTICAL FILLER W/ WALL ANGLE

FILLER DETAILS

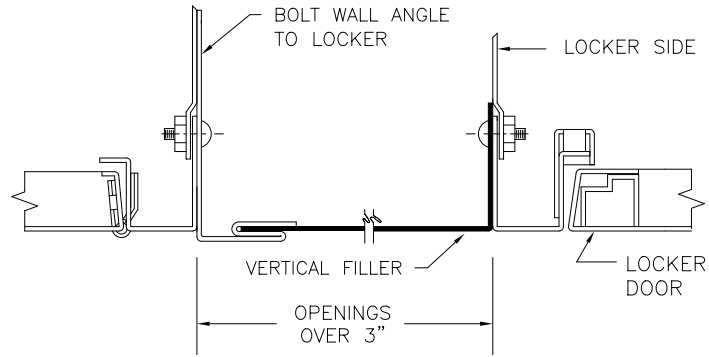
This drawing shows a standard Penco Product. Any modifications to the product must be approved by Penco Engineering. 8/6/2001



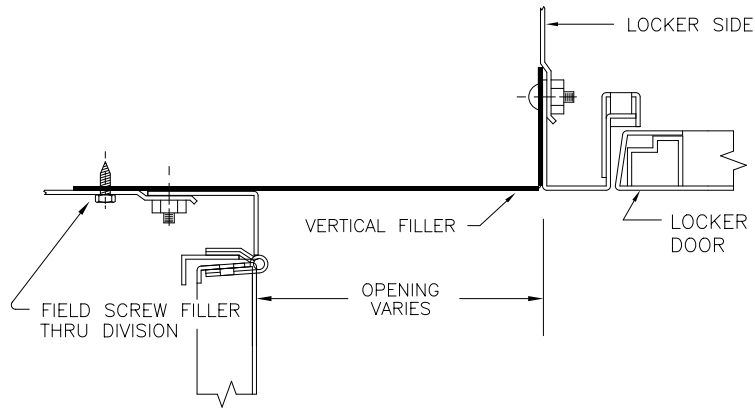
FILLER-2.dwg



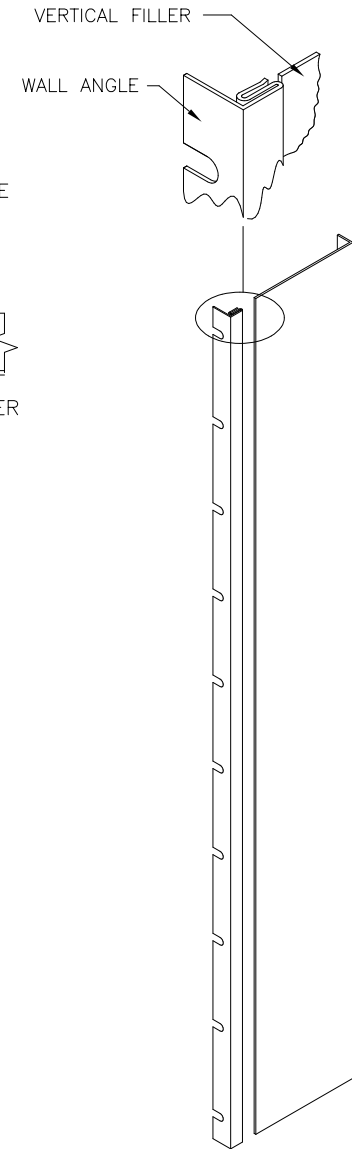
DETAIL @ VERTICAL FILLER  
LOCKER TO WALL CONDITION



DETAIL @ VERTICAL FILLER  
LOCKER TO LOCKER CONDITION



DETAIL @ VERTICAL FILLER  
CORNER CONDITION



FILLER AND WALL ANGLE

FILLER DETAILS

This drawing shows a standard Penco Product. Any modifications to the product must be approved by Penco Engineering. 8/6/2001



FILLER-1.dwg