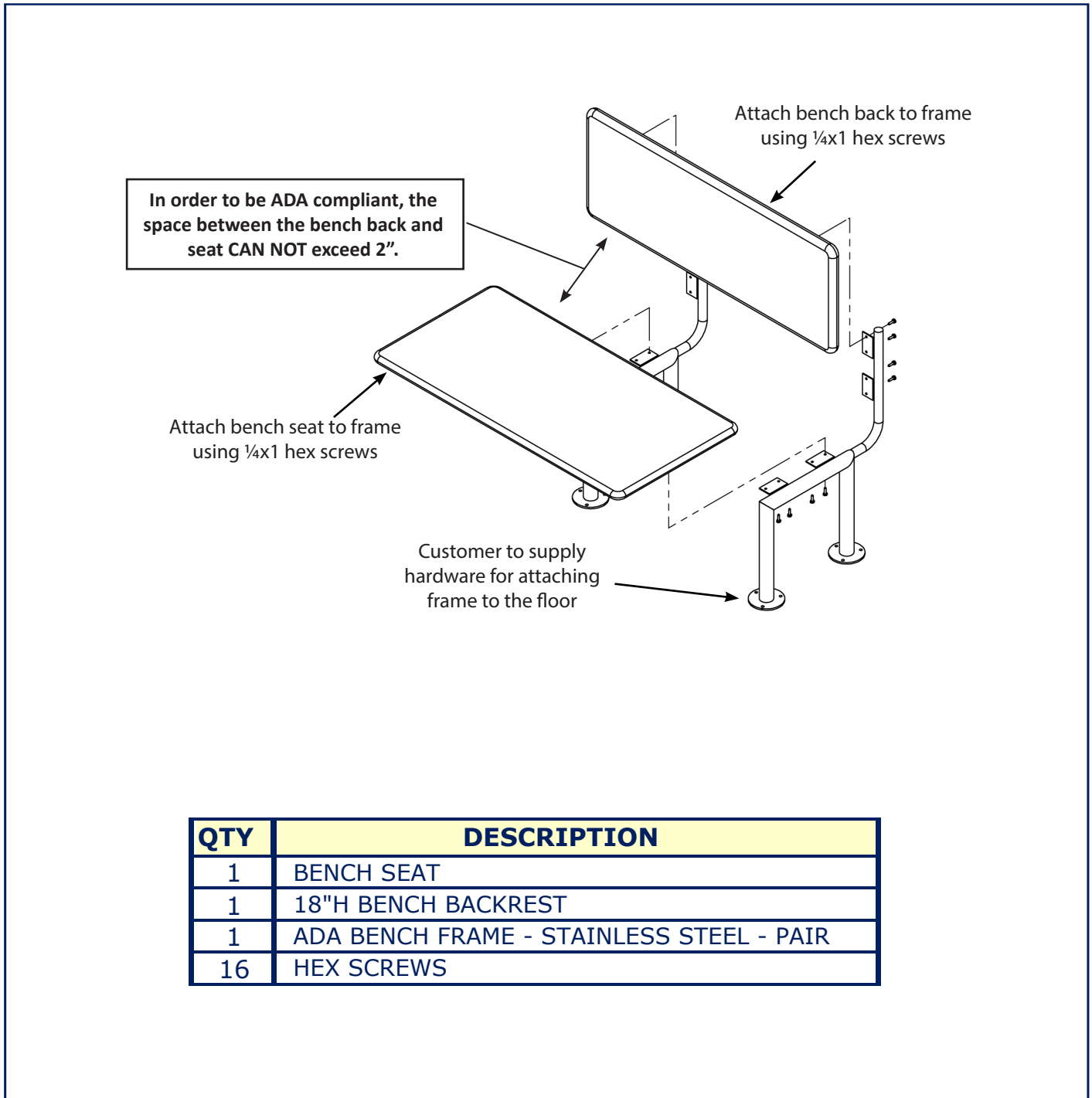




# EZ ADA Stainless Steel Locker Bench with Back Support Kit Assembly Instructions



QTY	DESCRIPTION
1	BENCH SEAT
1	18"H BENCH BACKREST
1	ADA BENCH FRAME - STAINLESS STEEL - PAIR
16	HEX SCREWS