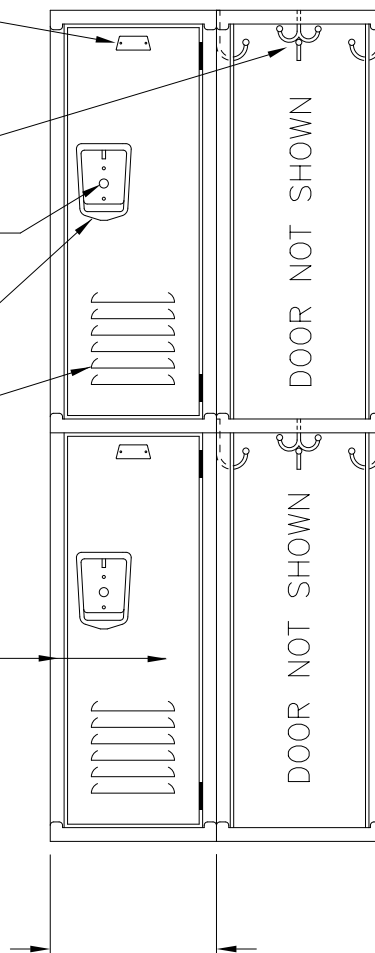


ALUMINUM NO. PLATE  
 ONE DBL. PRONG CEILING  
 HOOK & THREE SGL. PRONG  
 WALL HOOKS EA. OPENING

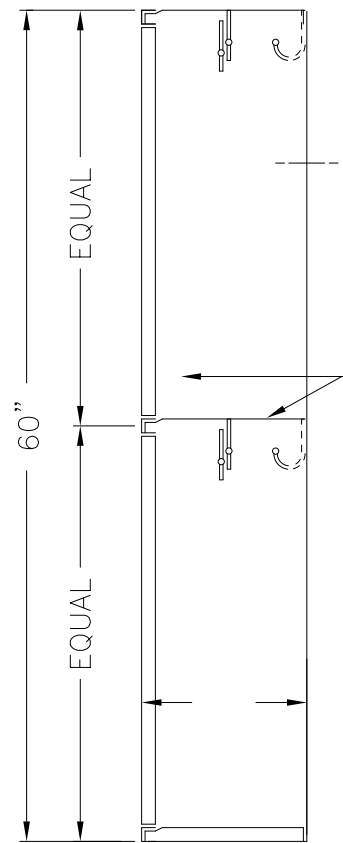
LOCK HOLE COVER PLATE  
 STAINLESS STEEL RECESSED  
 POCKET WITH PADLOCK EYE

SIX LOUVERS @ BOTTOM EA.  
 DOOR

16GA. DOOR & FRAME



ELEVATION



24GA. BODY &  
 TIER HEADS

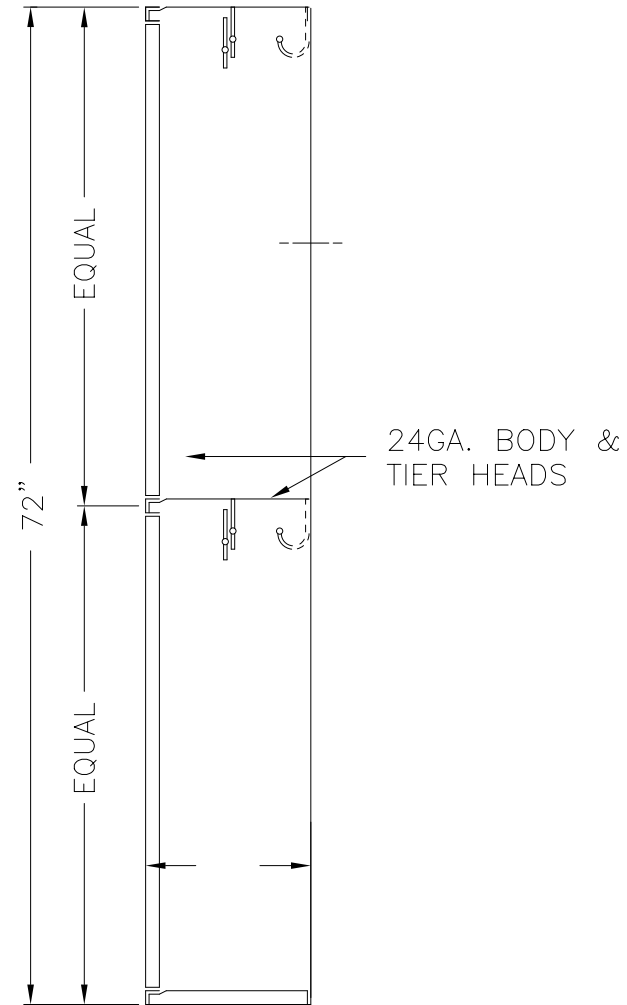
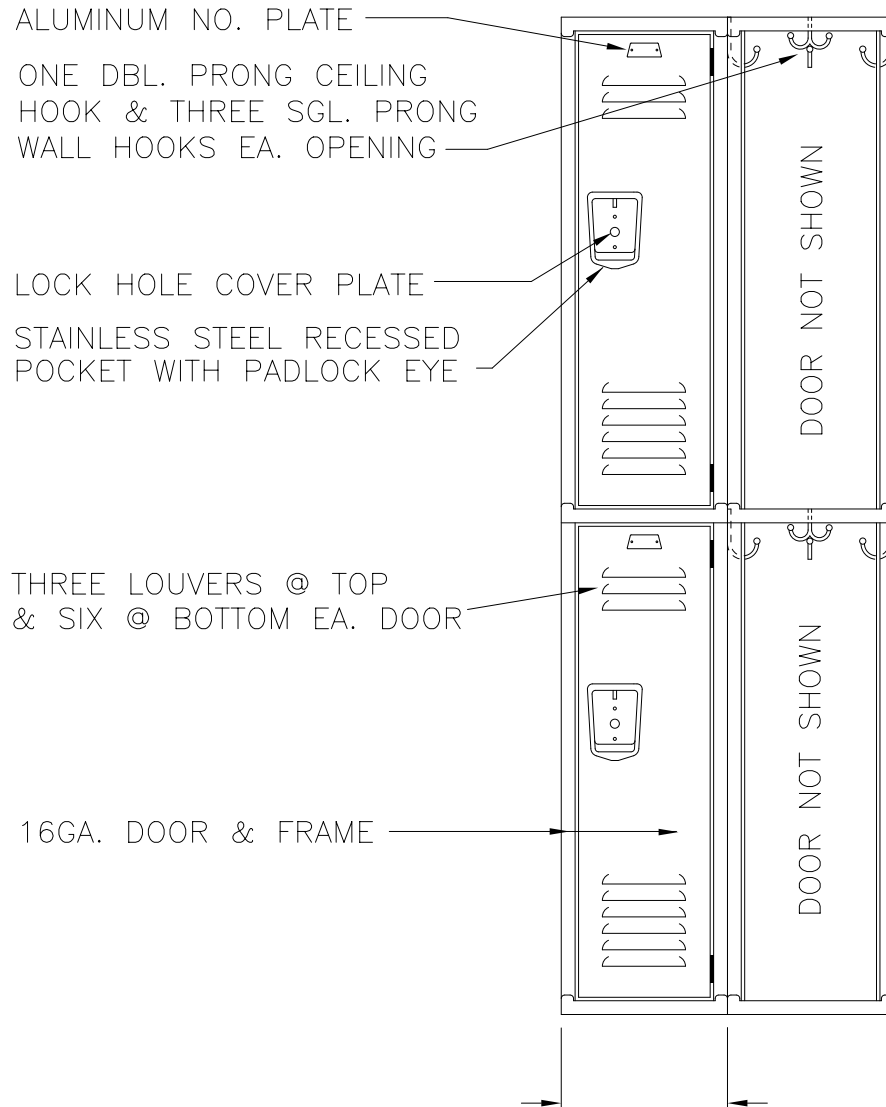
SECTION @ WALL

60" HIGH DOUBLE TIER VANGUARD KNOCKDOWN LOCKER W/ RECESSED POCKET

TYPICAL FOR 9" & 12" WIDE, ALLOW 1/16" CREEPAGE PER FRAME  
 TYPICAL FOR 12", 15", 18", & 21" DEEP

This drawing shows a standard Penco Product. Any modifications to the product must be approved by Penco Engineering. 8/6/2001





ALUMINUM NO. PLATE  
 ONE DBL. PRONG CEILING  
 HOOK & THREE SGL. PRONG  
 WALL HOOKS EA. OPENING

LOCK HOLE COVER PLATE  
 STAINLESS STEEL RECESSED  
 POCKET WITH PADLOCK EYE

THREE LOUVERS @ TOP  
 & SIX @ BOTTOM EA. DOOR

16GA. DOOR & FRAME

DOOR NOT SHOWN

DOOR NOT SHOWN

24GA. BODY &  
 TIER HEADS

72"

EQUAL

EQUAL

ELEVATION

SECTION @ WALL

72" HIGH DOUBLE TIER VANGUARD KNOCKDOWN LOCKER W/ RECESSED POCKET

TYPICAL FOR 9" & 12" WIDE, ALLOW 1/16" CREEPAGE PER FRAME  
 TYPICAL FOR 12", 15", 18", 21" & 24" DEEP

This drawing shows a standard Penco Product. Any modifications  
 to the product must be approved by Penco Engineering. 8/6/2001



121272R2T.dwg

ALUMINUM NO. PLATE

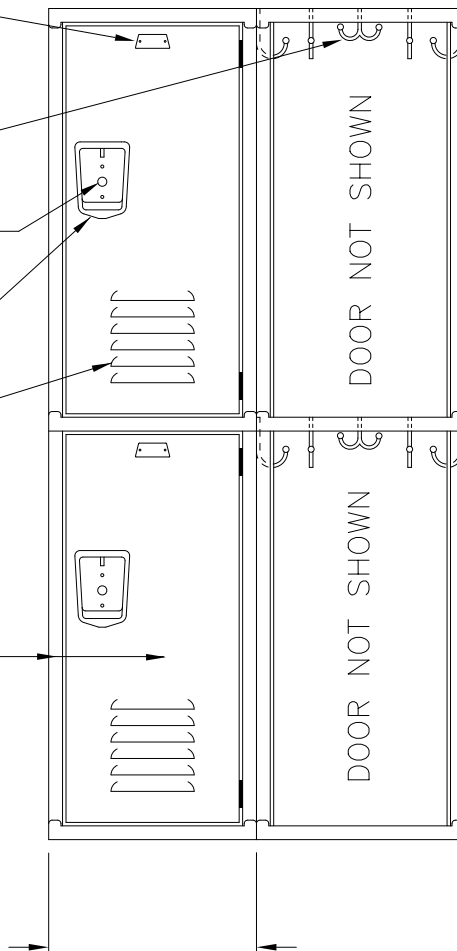
ONE DBL. PRONG CEILING  
HOOK & FOUR SGL. PRONG  
WALL HOOKS EA. OPENING

LOCK HOLE COVER PLATE

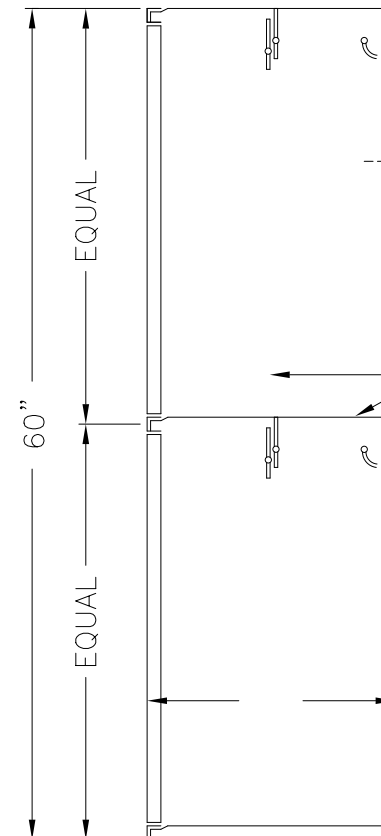
STAINLESS STEEL RECESSED  
POCKET WITH PADLOCK EYE

SIX LOUVERS @ BOTTOM EA.  
DOOR

16GA. DOOR & FRAME



ELEVATION



SECTION @ WALL

60" HIGH DOUBLE TIER VANGUARD KNOCKDOWN LOCKER W/ RECESSED POCKET

TYPICAL FOR 15" & 18" WIDE, ALLOW 1/16" CREEPAGE PER FRAME  
TYPICAL FOR 12", 15", 18", 21", & 24" DEEP

This drawing shows a standard Penco Product. Any modifications to the product must be approved by Penco Engineering. 8/6/2001



ALUMINUM NO. PLATE

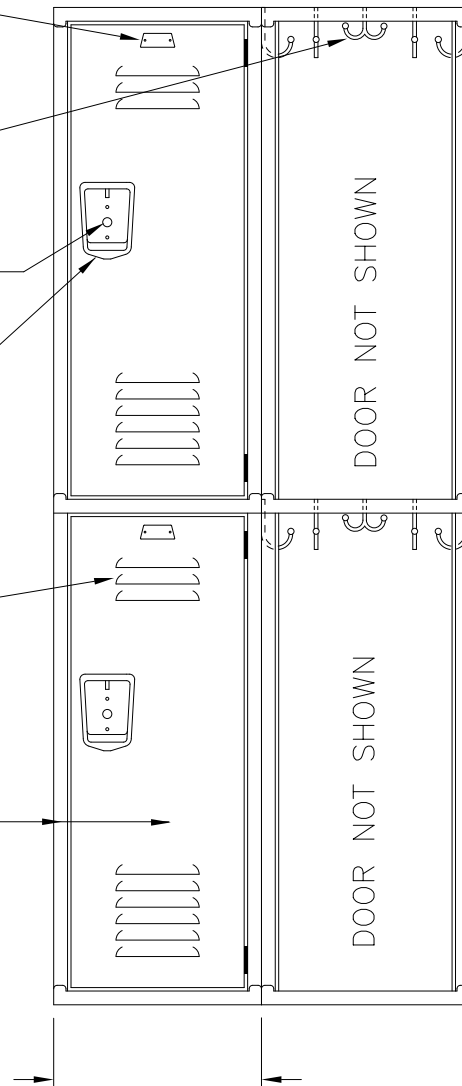
ONE DBL. PRONG CEILING  
HOOK & FOUR SGL. PRONG  
WALL HOOKS EA. OPENING

LOCK HOLE COVER PLATE

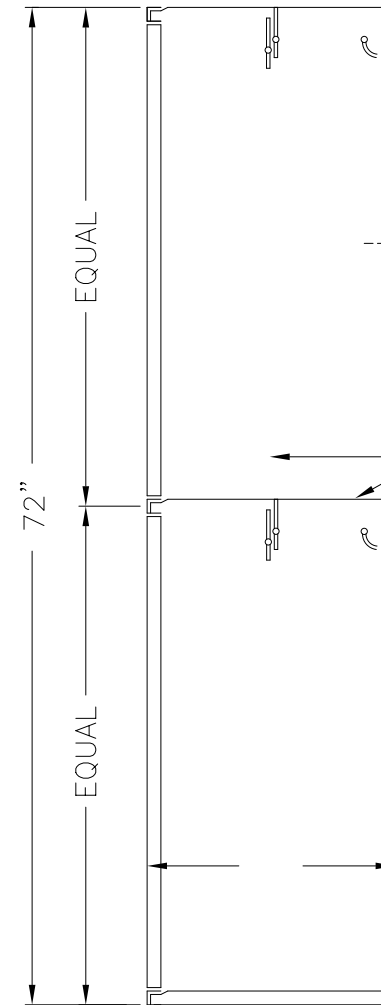
STAINLESS STEEL RECESSED  
POCKET WITH PADLOCK EYE

THREE LOUVERS @ TOP  
& SIX @ BOTTOM EA. DOOR

16GA. DOOR & FRAME



ELEVATION



24GA. BODY &  
TIER HEADS

SECTION @ WALL

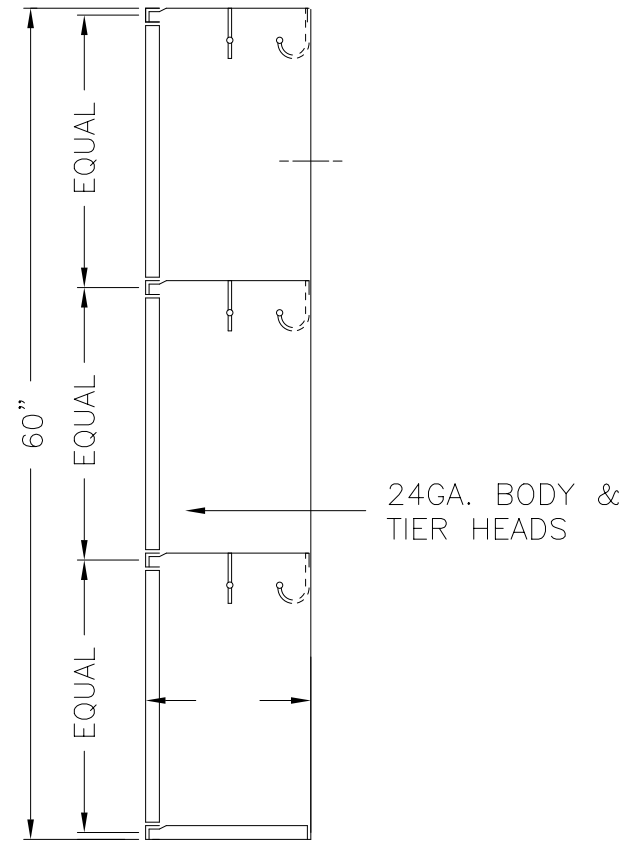
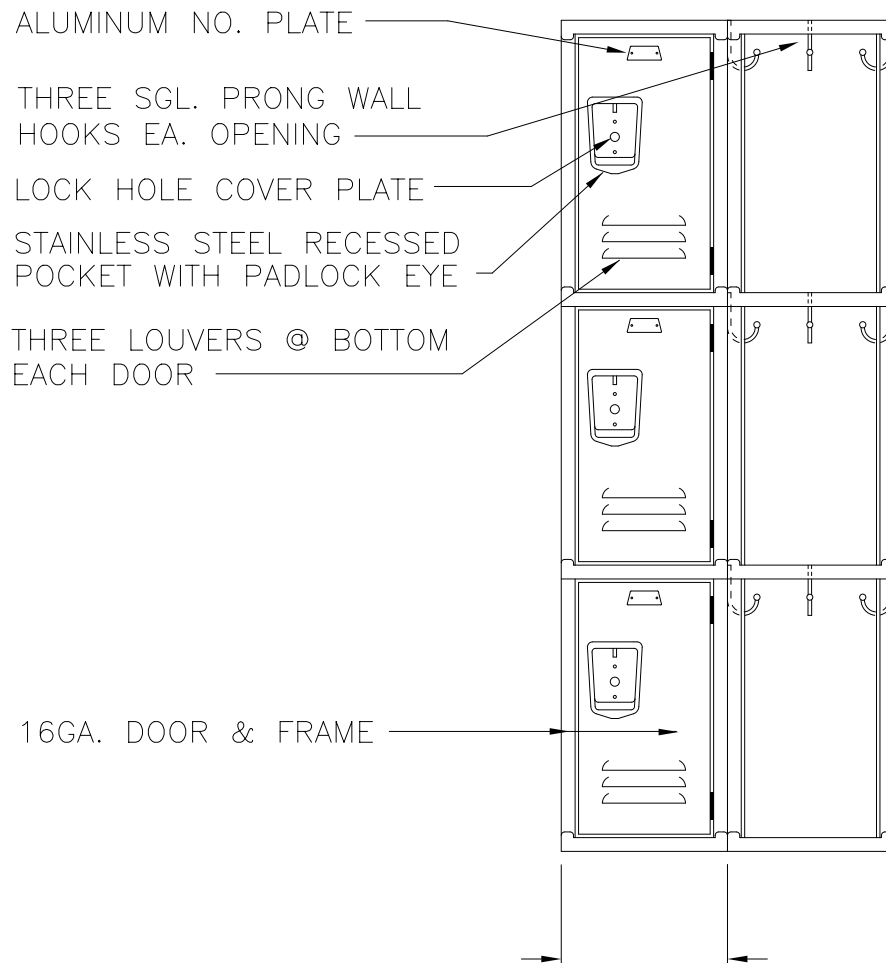
72" HIGH DOUBLE TIER VANGUARD KNOCKDOWN LOCKER W/ RECESSED POCKET

TYPICAL FOR 15" & 18" WIDE, ALLOW 1/16" CREEPAGE PER FRAME  
TYPICAL FOR 12", 15", 18", 21", & 24" DEEP

This drawing shows a standard Penco Product. Any modifications  
to the product must be approved by Penco Engineering. 8/6/2001



151872R2T.dwg



ELEVATION

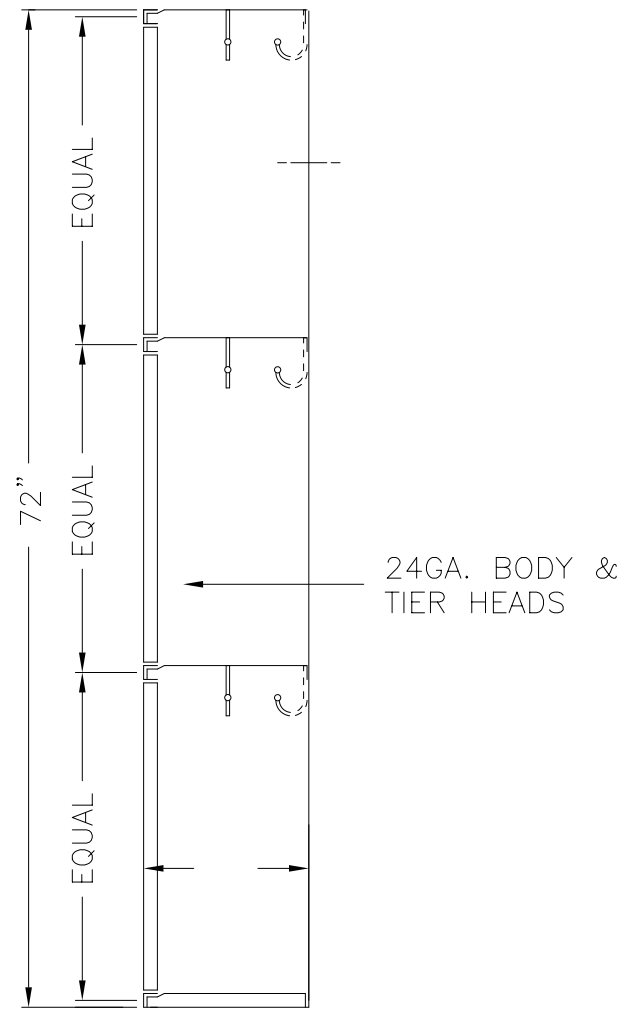
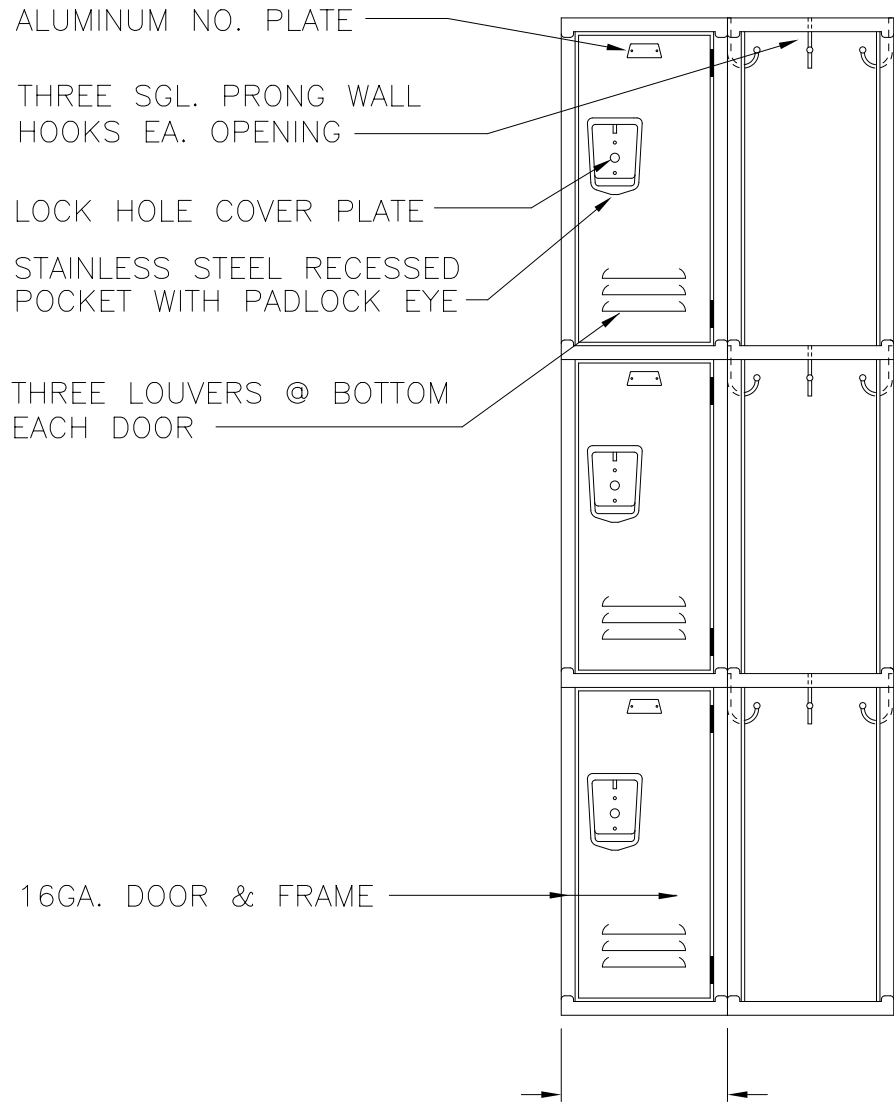
SECTION @ WALL

60" HIGH TRIPLE TIER VANGUARD KNOCKDOWN LOCKER W/ RECESSED POCKET

TYPICAL FOR 9" & 12" WIDE, ALLOW 1/16" CREEPAGE PER FRAME  
 TYPICAL FOR 12", 15", 18", & 21" DEEP

This drawing shows a standard Penco Product. Any modifications to the product must be approved by Penco Engineering. 8/6/2001





ALUMINUM NO. PLATE

THREE SGL. PRONG WALL HOOKS EA. OPENING

LOCK HOLE COVER PLATE

STAINLESS STEEL RECESSED POCKET WITH PADLOCK EYE

THREE LOUVERS @ BOTTOM EACH DOOR

16GA. DOOR & FRAME

24GA. BODY & TIER HEADS

ELEVATION

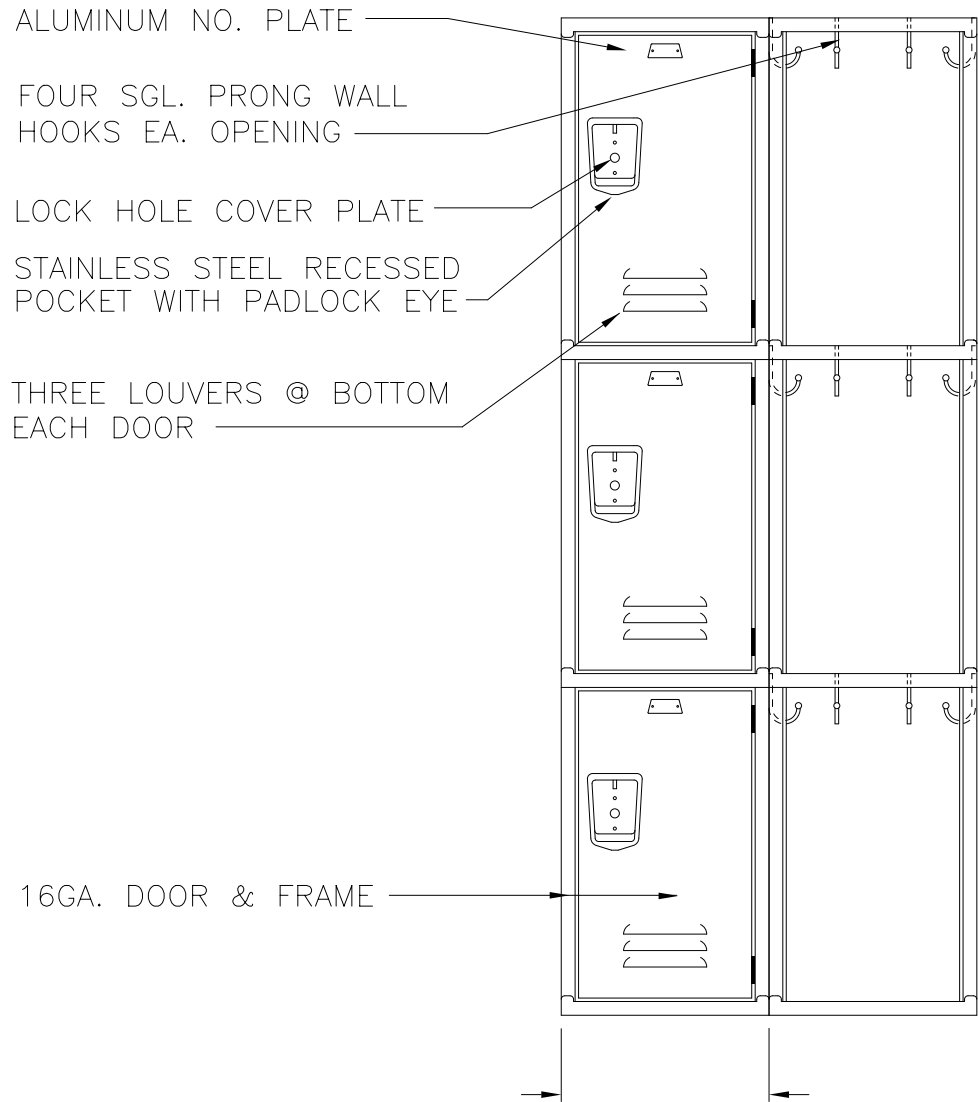
SECTION @ WALL

72" HIGH TRIPLE TIER VANGUARD KNOCKDOWN LOCKER W/ RECESSED POCKET

TYPICAL FOR 9" & 12" WIDE, ALLOW 1/16" CREEPAGE PER FRAME  
 TYPICAL FOR 12", 15", 18", & 21" DEEP

This drawing shows a standard Penco Product. Any modifications to the product must be approved by Penco Engineering. 8/6/2001





ALUMINUM NO. PLATE

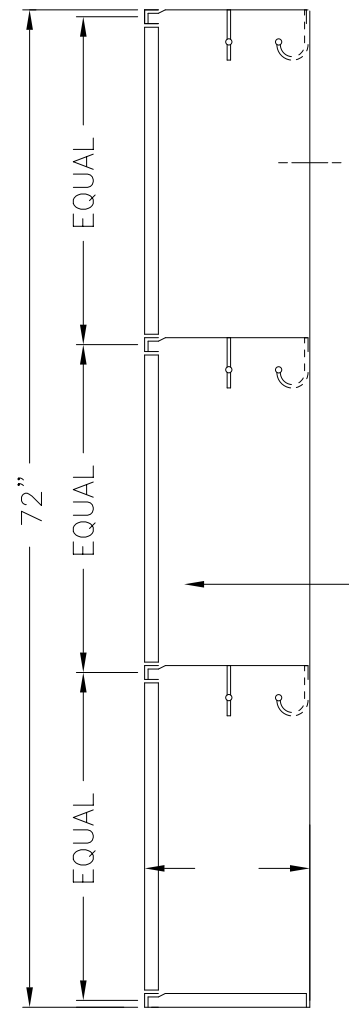
FOUR SGL. PRONG WALL HOOKS EA. OPENING

LOCK HOLE COVER PLATE

STAINLESS STEEL RECESSED POCKET WITH PADLOCK EYE

THREE LOUVERS @ BOTTOM EACH DOOR

16GA. DOOR & FRAME



24GA. BODY & TIER HEADS

ELEVATION

SECTION @ WALL

72" HIGH TRIPLE TIER VANGUARD KNOCKDOWN LOCKER W/ RECESSED POCKET

15" WIDE, ALLOW 1/16" CREEPAGE PER FRAME  
TYPICAL FOR 12", 15", 18", & 21" DEEP

This drawing shows a standard Penco Product. Any modifications to the product must be approved by Penco Engineering. 8/6/2001

