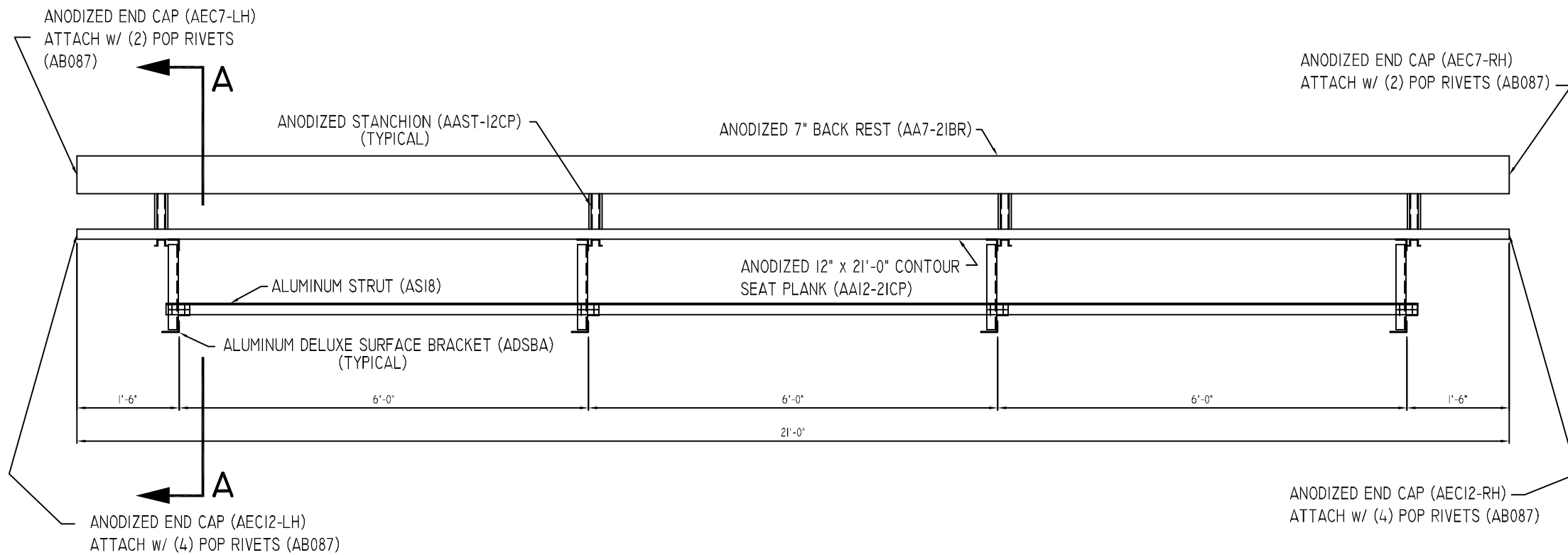


SECTION A-A

SCALE: 1/2" = 1'-0"



**ALUMINUM DELUXE TEAM BENCH x 21'-0" - ADSBA-21
(SURFACE MOUNT)**

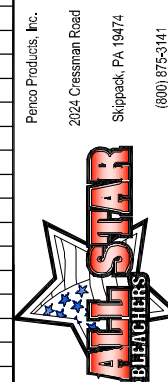
SCALE: 1/2" = 1'-0"



1. LOCATE THE CHANNEL END CAP AS SHOWN, WITH THE WIDER FLANGE ON BOTTOM.
2. TAP THE CHANNEL INTO PLACE WITH A RUBBER Mallet OR SOFT WOOD.
3. ATTACH w/ (4) POP RIVETS (AB087)

END CAP INSTALLATION DETAIL

PARTS LIST		
QTY PER UNIT	PART NUMBER	DESCRIPTION
1	ADSBA-21	ALUMINUM SURFACE MOUNT DELUXE TEAM BENCH x 21'-0"
1	AAI2-2ICP	12" ANODIZED CONTOUR PLANK - 21'-0" LONG
1	AA7-2IBR	7" ANODIZED BACK REST PLANK x 21'-0" LONG
4	AAST-12CP	ANODIZED ALUMINUM STANCHION (12" CONTOUR SEAT)
4	ADSBA	SURFACE MOUNT SEAT BRACKET- DELUXE
1	ASI8	2"x 2"x 3/16"x 18'-2" (8 HOLE) ALUMINUM STRUT
1	AEC7-LH	LEFT HAND END CAP FOR 7" BACK REST
1	AEC7-RH	RIGHT HAND END CAP FOR 7" BACK REST
1	AEC12-LH	LEFT HAND END CAP FOR 12" CONTOUR PLANK
1	AEC12-RH	RIGHT HAND END CAP FOR 12" CONTOUR PLANK
16	AM2	TIE DOWN ASS'Y.
8	AB025	3/8"x 1" LONG A307 GALVANIZED BOLT
8	AB073	1/2" x 2 3/4" LONG GALVANIZED WEDGE ANCHOR
16	AB087	#64 3/16" x 3/16" GRIP ALUMINUM POP RIVET
8	AN04	3/8" GALVANIZED NUT
8	AW23	3/8" GALVANIZED FLAT WASHER



This drawing is the property of **All Star Bleachers**. The information contained within is proprietary. Unauthorized reproduction through either mechanical or electronic medium is prohibited without the express written consent of **All Star Bleachers**.

Deluxe Bench x 21'-0" Long

ADSBA-21
Aluminum Team Bench x 21'-0" Long
w/ Contour Seat and Comfort Back Rest

DRAWN BY: JRE DATE: 5/31/12
CHKD BY: DATE:
SCALE: NOTED
JOB NUMBER:
STANDARD
SHEET NUMBER:
ADSBA-21
Rev: 0