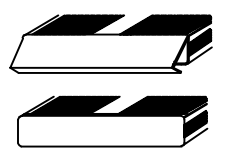


SECTION A-A

SCALE: 1" = 1'-0"

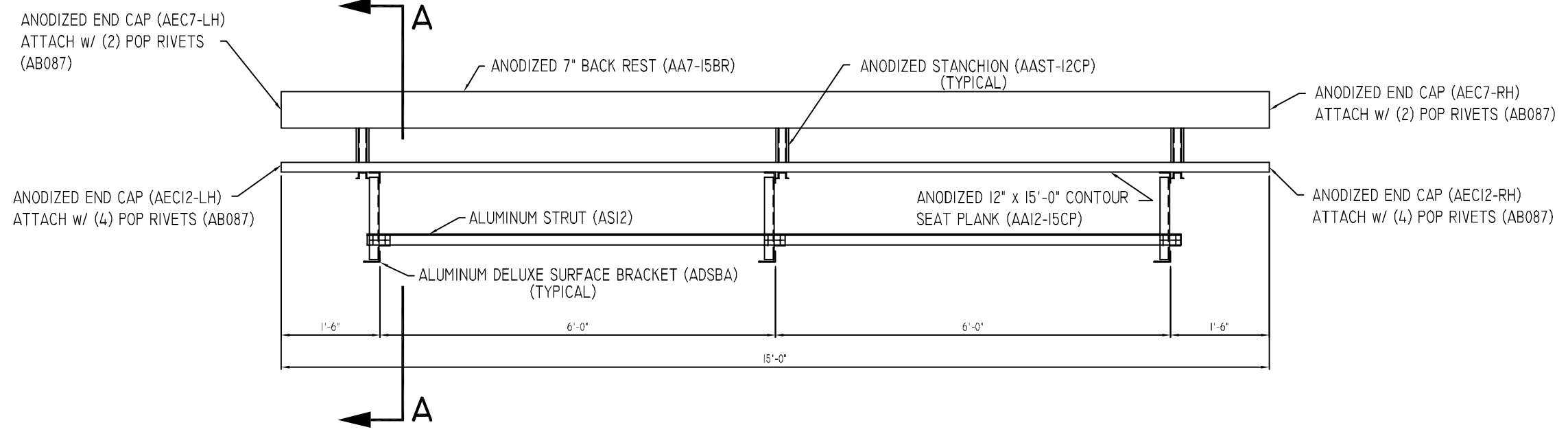


1. LOCATE THE CHANNEL END CAP AS SHOWN, WITH THE WIDER FLANGE ON BOTTOM.
2. TAP THE CHANNEL INTO PLACE WITH A RUBBER Mallet OR SOFT WOOD.
3. ATTACH w/ (4) POP RIVETS (AB087)

END CAP INSTALLATION DETAIL

PARTS LIST

| QTY PER UNIT | PART NUMBER | DESCRIPTION |
|--------------|-------------|---|
| 1 | ADSBA-15 | ALUMINUM SURFACE MOUNT DELUXE TEAM BENCH x 15'-0" |
| 1 | AAI2-15CP | 12" ANODIZED CONTOUR PLANK - 15'-0" LONG |
| 1 | AA7-15BR | 7" ANODIZED BACK REST PLANK x 15'-0" LONG |
| 3 | AAST-12CP | ANODIZED ALUMINUM STANCHION (12" CONTOUR SEAT) |
| 3 | ADSBA | SURFACE MOUNT SEAT BRACKET - DELUXE |
| 1 | ASI2 | 2"x 2"x 3/16"x 12'-2" (6 HOLE) ALUMINUM STRUT |
| 1 | AEC7-LH | LEFT HAND END CAP FOR 7" BACK REST |
| 1 | AEC7-RH | RIGHT HAND END CAP FOR 7" BACK REST |
| 1 | AEC12-LH | LEFT HAND END CAP FOR 12" CONTOUR PLANK |
| 1 | AEC12-RH | RIGHT HAND END CAP FOR 12" CONTOUR PLANK |
| 12 | AM2 | TIE DOWN ASS'Y. |
| 6 | AB025 | 3/8"x 1" LONG A307 GALVANIZED BOLT |
| 6 | AB073 | 1/2" x 2 3/4" LONG GALVANIZED WEDGE ANCHOR |
| 14 | AB087 | #64 3/16" x 3/16" GRIP ALUMINUM POP RIVET |
| 6 | AN04 | 3/8" GALVANIZED NUT |
| 6 | AW23 | 3/8" GALVANIZED FLAT WASHER |

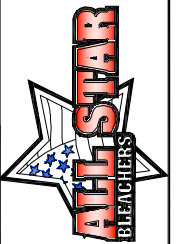


ALUMINUM DELUXE TEAM BENCH x 15'-0" - ADSBA-15

(SURFACE MOUNT)

SCALE: 1/2" = 1'-0"

Penco Products, Inc.
2024 Crossman Road
Shippack, PA 19474
(800) 875-5141



THIS DRAWING IS THE PROPERTY OF
All Star Bleachers
THE INFORMATION CONTAINED WITHIN IS PROPRIETARY. UNAUTHORIZED REPRODUCTION THROUGH EITHER MECHANICAL OR ELECTRONIC MEDIUM IS PROHIBITED WITHOUT THE EXPRESS WRITTEN CONSENT OF
All Star Bleachers

Deluxe Bench x 15'-0" Long

ADSBA-15
Aluminum Team Bench x 15'-0" Long
w/ Contour Seat and Comfort Back Rest

DRAWN BY: JRE DATE: 5/28/12
CHKD BY: DATE:
SCALE: NOTED
JOB NUMBER:
STANDARD
SHEET NUMBER:
ADSBA-15
Rev: 0