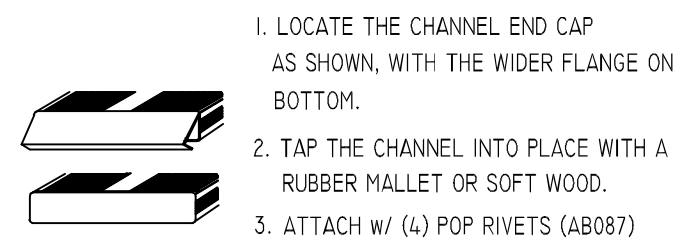


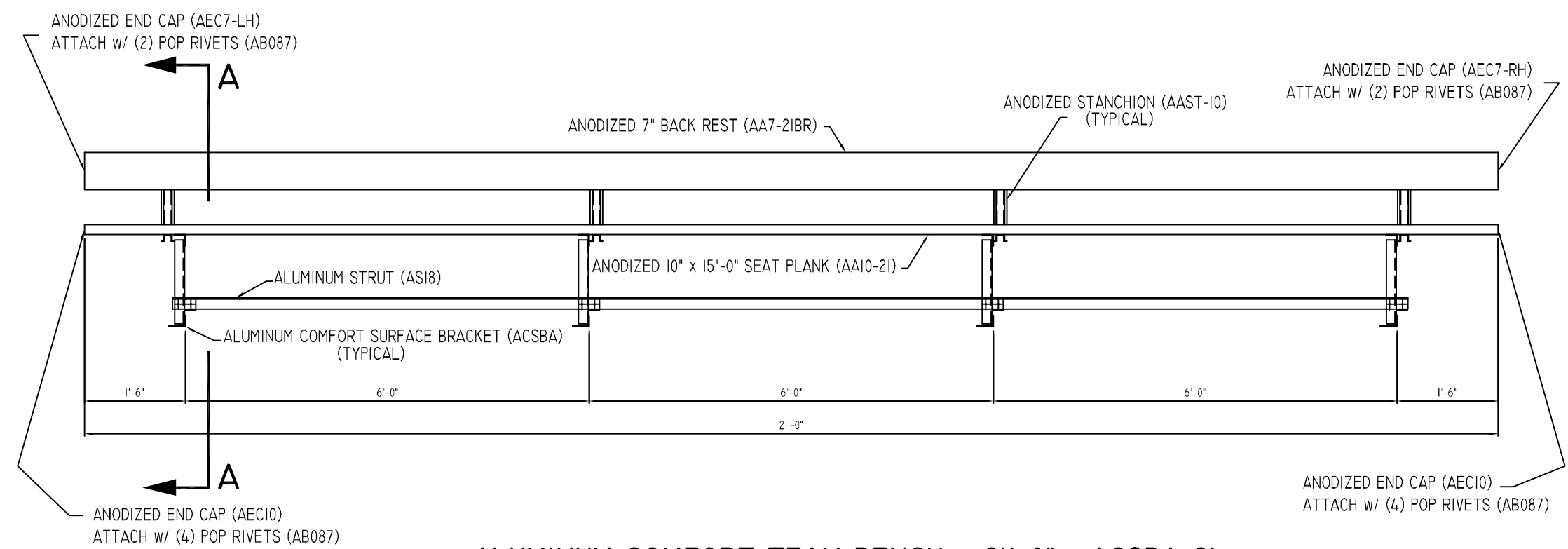
SECTION A-A
SCALE: 1" = 1'-0"



END CAP INSTALLATION DETAIL

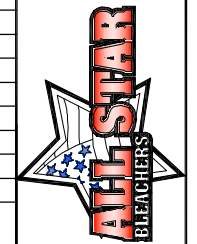
1. LOCATE THE CHANNEL END CAP AS SHOWN, WITH THE WIDER FLANGE ON BOTTOM.
2. TAP THE CHANNEL INTO PLACE WITH A RUBBER Mallet OR SOFT WOOD.
3. ATTACH w/ (4) POP RIVETS (AB087)

PARTS LIST		
1	ACSBA-21	ALUMINUM SURFACE MOUNT COMFORT TEAM BENCH x 21'-0"
1	AA10-21	10" ANODIZED PLANK - 21'-0" LONG
1	AA7-2IBR	7" ANODIZED BACK REST PLANK - 21'-0" LONG
4	AAST-10	ANODIZED ALUMINUM STANCHION (10" SEAT)
4	ACSBA	SURFACE MOUNT SEAT BRACKET - COMFORT
1	ASI8	2"x 2"x 3/16"x 18'-2" (8 HOLE) ALUMINUM STRUT
1	AEC7-LH	LEFT HAND END CAP FOR 7" BACK REST
1	AEC7-RH	RIGHT HAND END CAP FOR 7" BACK REST
2	AEC10	END CAP FOR 10" SEAT PLANK
16	AM2	TIE DOWN ASSEMBLY
8	AB025	3/8"x 1" LONG A307 GALVANIZED BOLT
8	AB073	1/2"x 2 3/4" LONG GALVANIZED WEDGE ANCHOR
16	AB087	#64 3/16"x 3/16" GRIP ALUMINUM POP RIVET
8	AN04	3/8" GALVANIZED NUT
8	AW23	3/8" GALVANIZED FLAT WASHER



ALUMINUM COMFORT TEAM BENCH x 21'-0" - ACSBA-21
(SURFACE MOUNT)
SCALE: 1/2" = 1'-0"

Penco Products, Inc.
2024 Cressman Road
Shippack, PA 19474
(800) 875-5141



All Star Bleachers

All Star Bleachers

Comfort Bench x 21'-0" Long

ACSBA-21
Aluminum Team Bench x 21'-0" Long
w/ Standard Seat and Comfort Back Rest

DRAWN BY: JRE	DATE: 5/25/12
CHKD BY:	DATE:
SCALE: NOTED	
JOB NUMBER:	
STANDARD	
SHEET NUMBER:	
ACSBA-21	
Rev: 0	