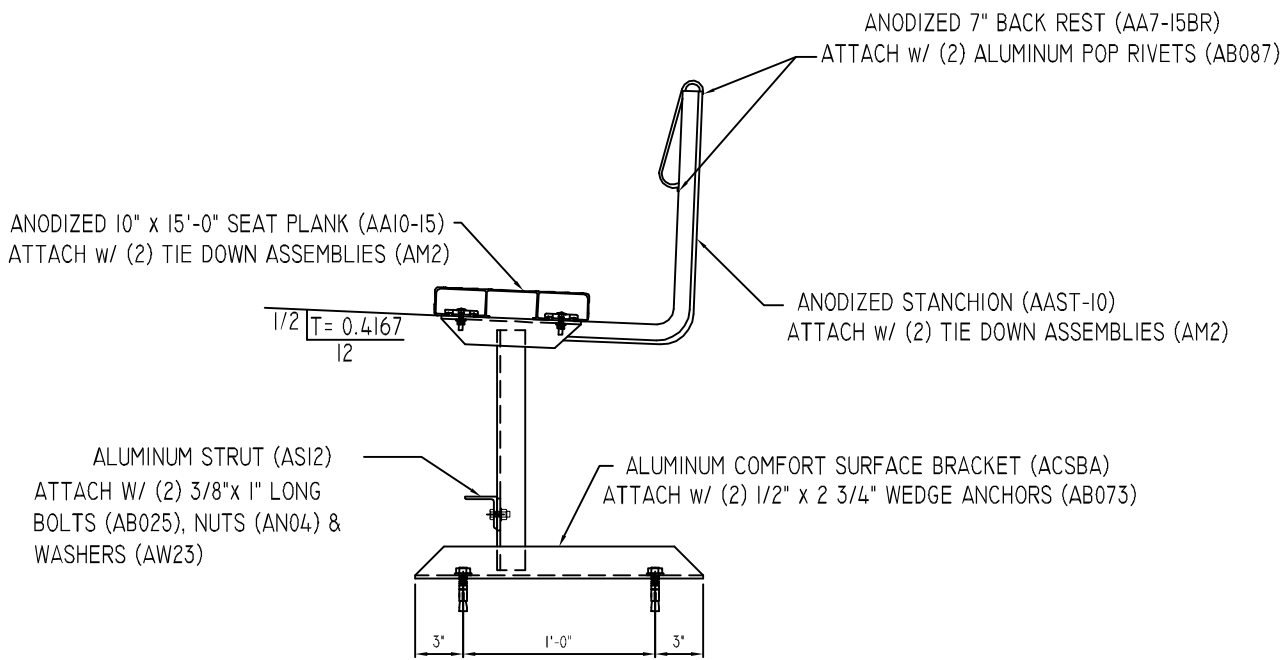
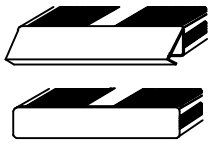


PARTS LIST		
QTY PER UNIT	PART NUMBER	DESCRIPTION
1	ACSBA-15	ALUMINUM SURFACE MOUNT COMFORT TEAM BENCH x 15'-0"
1	AA10-15	10" ANODIZED PLANK - 15'-0" LONG
1	AA7-15BR	7" ANODIZED BACK REST PLANK - 15'-0" LONG
3	AAST-10	ANODIZED ALUMINUM STANCHION (10" SEAT)
3	ACSBA	SURFACE MOUNT SEAT BRACKET - COMFORT
1	ASI2	2"x 2"x 3/16"x 12'-2" (6 HOLE) ALUMINUM STRUT
1	AEC7-LH	LEFT HAND END CAP FOR 7" BACK REST
1	AEC7-RH	RIGHT HAND END CAP FOR 7" BACK REST
2	AEC10	END CAP FOR 10" SEAT PLANK
12	AM2	TIE DOWN ASSEMBLY
6	AB025	3/8"x 1" LONG A307 GALVANIZED BOLT
6	AB073	1/2"x 2 3/4" LONG GALVANIZED WEDGE ANCHOR
14	AB087	#64 3/16"x 3/16" GRIP ALUMINUM POP RIVET
6	AN04	3/8" GALVANIZED NUT
6	AW23	3/8" GALVANIZED FLAT WASHER



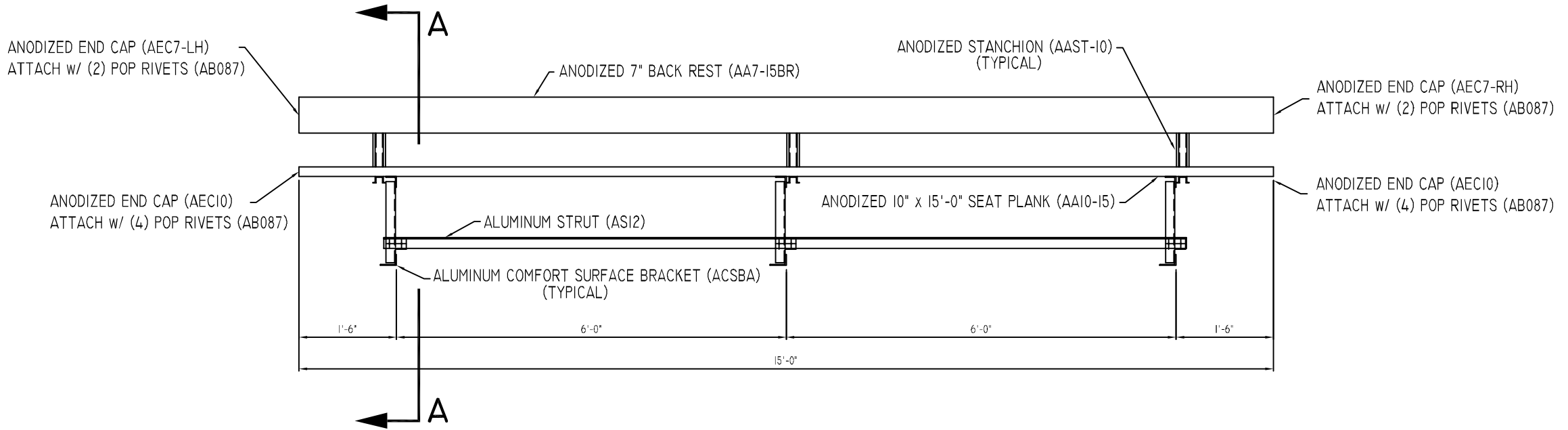
**SECTION A-A**

SCALE: 1" = 1'-0"



1. LOCATE THE CHANNEL END CAP AS SHOWN, WITH THE WIDER FLANGE ON BOTTOM.
2. TAP THE CHANNEL INTO PLACE WITH A RUBBER Mallet OR SOFT WOOD.
3. ATTACH w/ (4) POP RIVETS (AB087)

**END CAP INSTALLATION DETAIL**

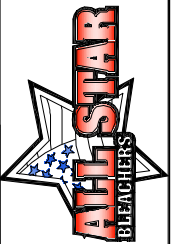


**ALUMINUM COMFORT TEAM BENCH x 15'-0" - ACSBA-15**

**(SURFACE MOUNT)**

SCALE: 1/2" = 1'-0"

Penco Products, Inc.  
2024 Cressman Road  
Shippack, PA 19474  
(800) 875-3141



This drawing is the property of **All Star Bleachers**. The information contained within is proprietary. Unauthorized reproduction through either mechanical or electronic medium is prohibited without the express written consent of **All Star Bleachers**.

Comfort Bench x 15'-0" Long

ACSBA-15  
Aluminum Team Bench x 15'-0" Long  
w/ Standard Seat and Comfort Back Rest

DRAWN BY: JRE DATE: 5/28/12  
CHK'D BY: DATE:  
SCALE: NOTED  
JOB NUMBER:  
**STANDARD**  
SHEET NUMBER:  
**ACSBA-15**  
Rev.: 0