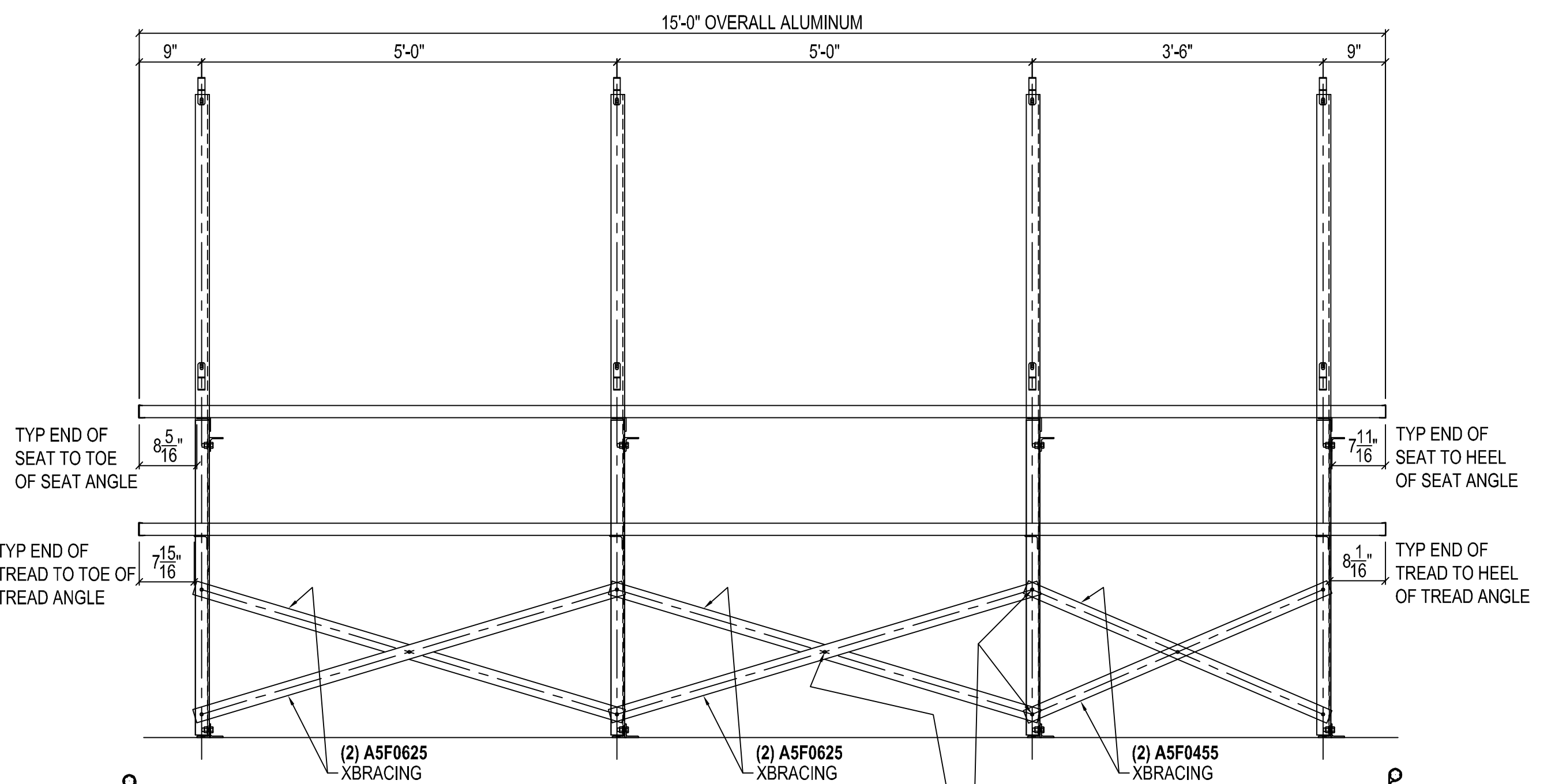
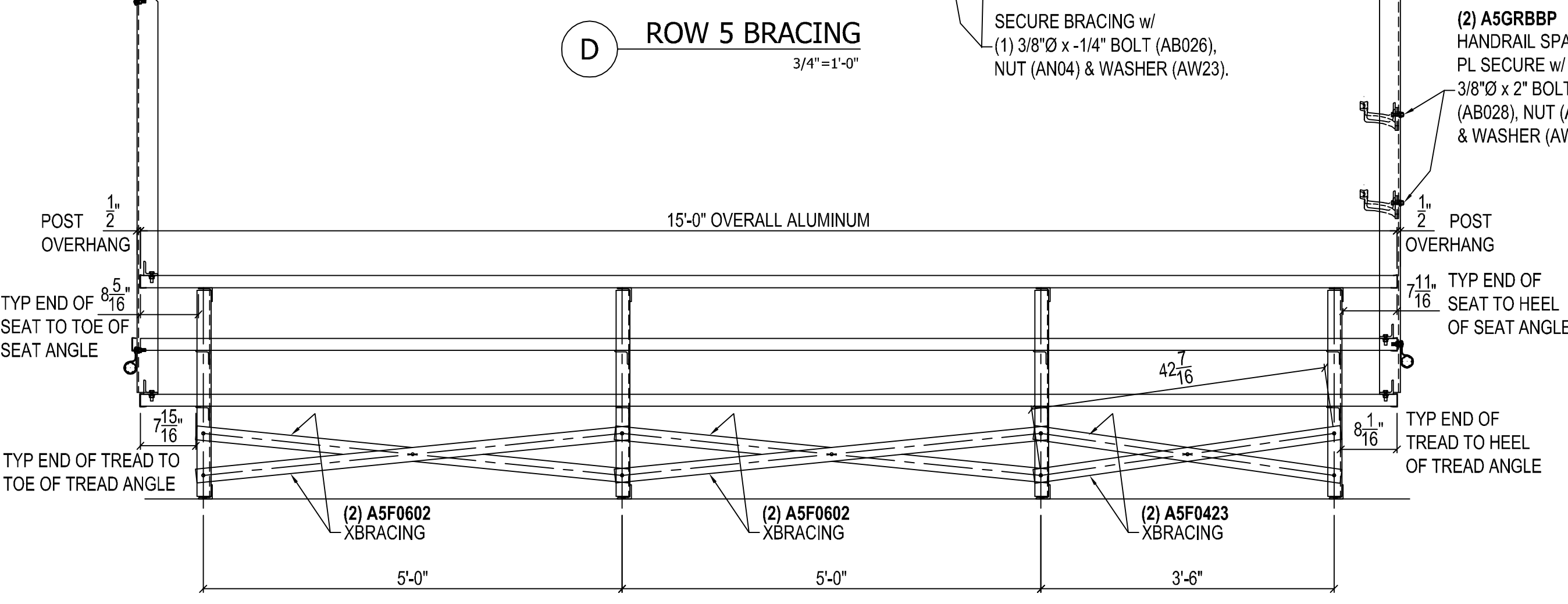


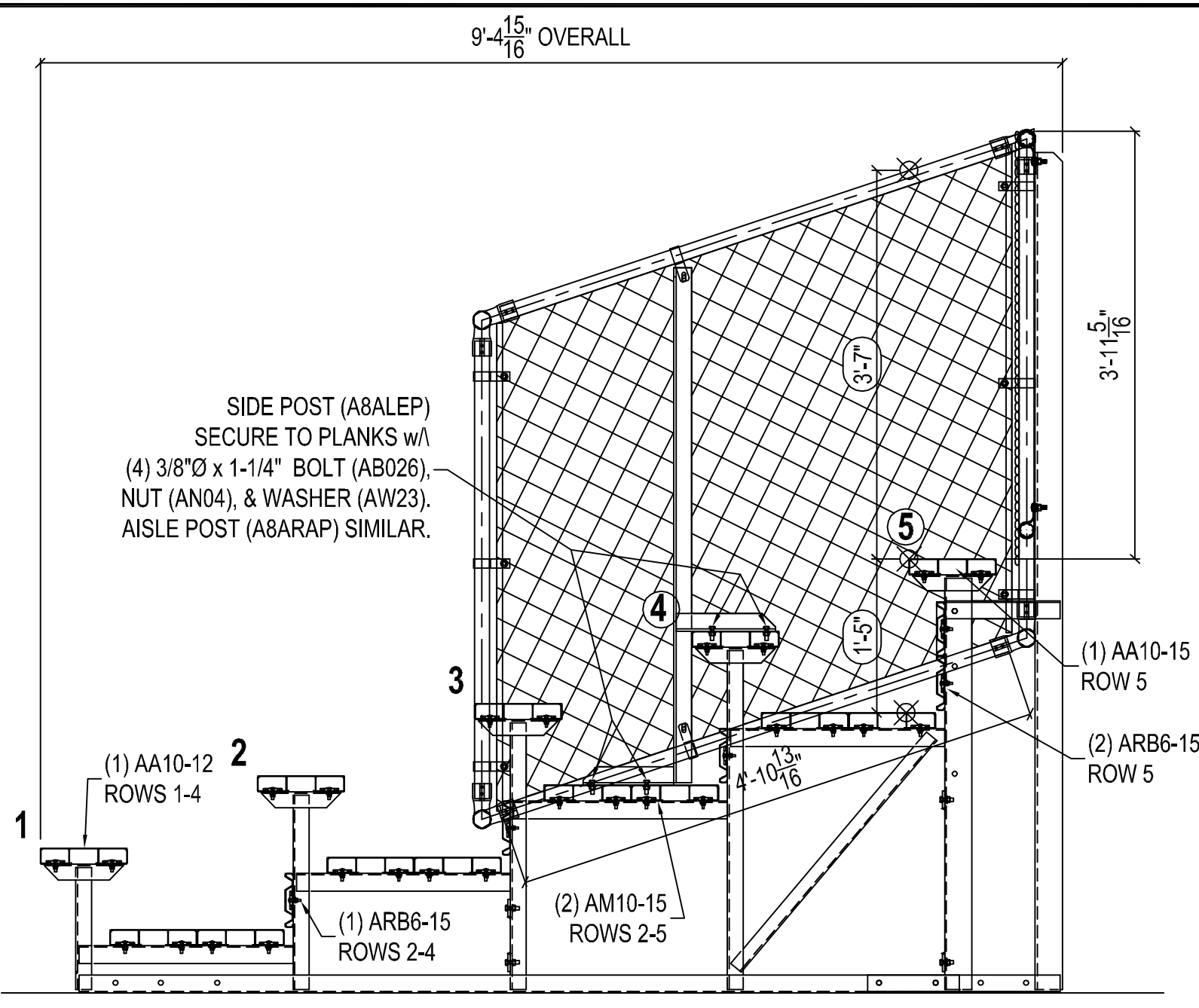
SEATING PLAN
SCALE: 3/4"=1'-0"



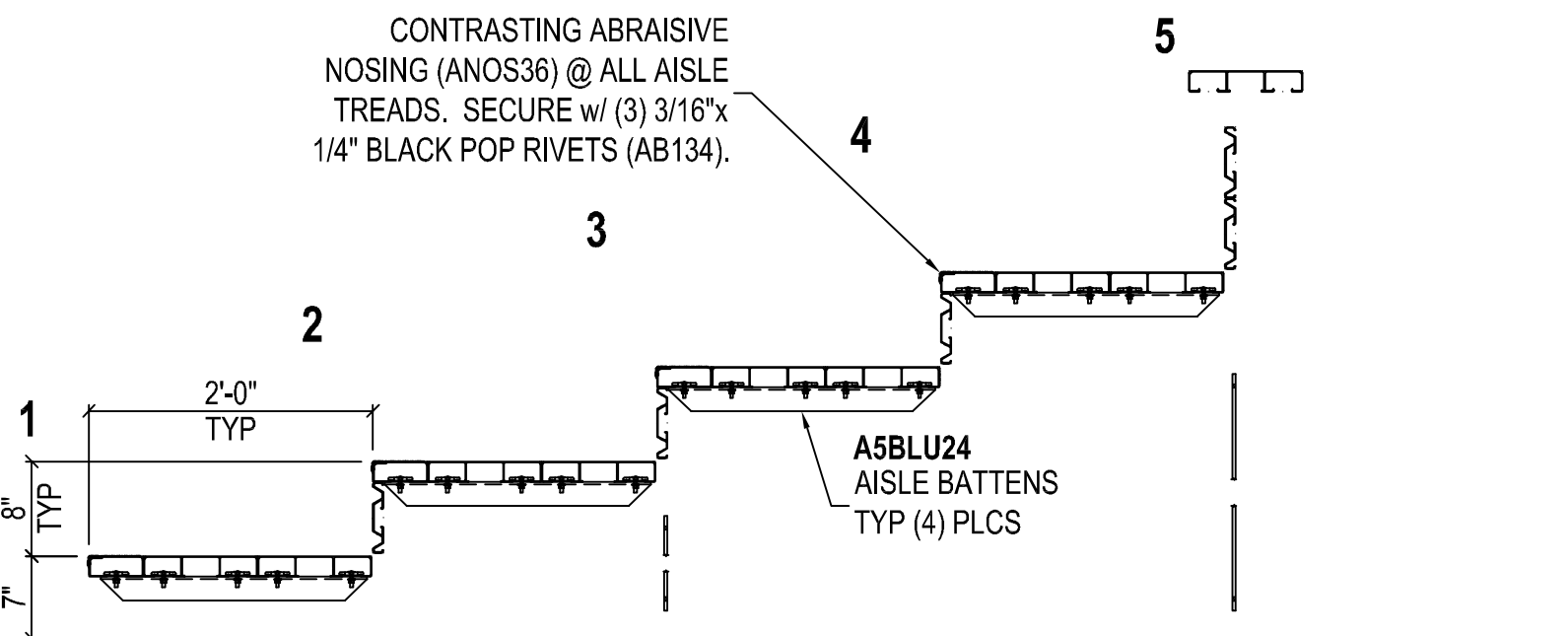
D ROW 5 BRACING
3/4"=1'-0"



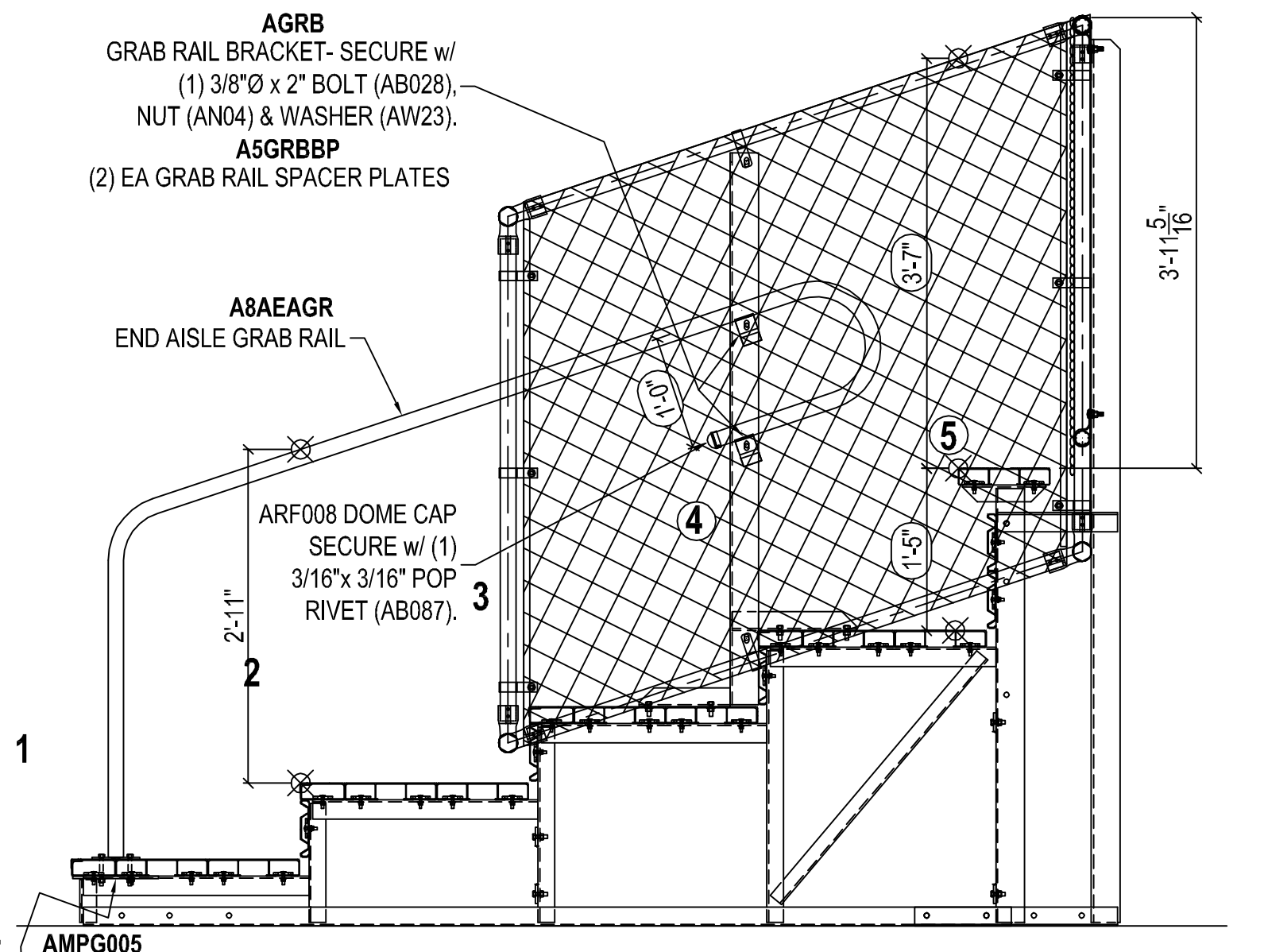
E ROW 3 BRACING
3/4"=1'-0"



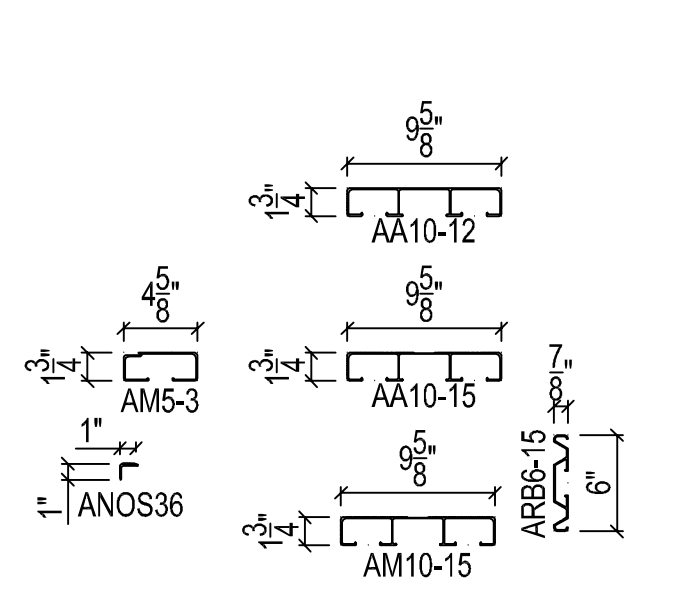
A LEFT END ON STAND
3/4"=1'-0"



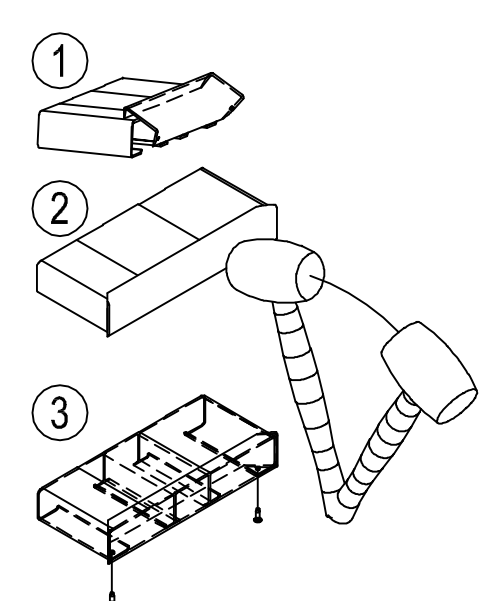
B SECTION @ AISLE BATTENS
3/4"=1'-0"



C RIGHT END ON STAND
3/4"=1'-0"

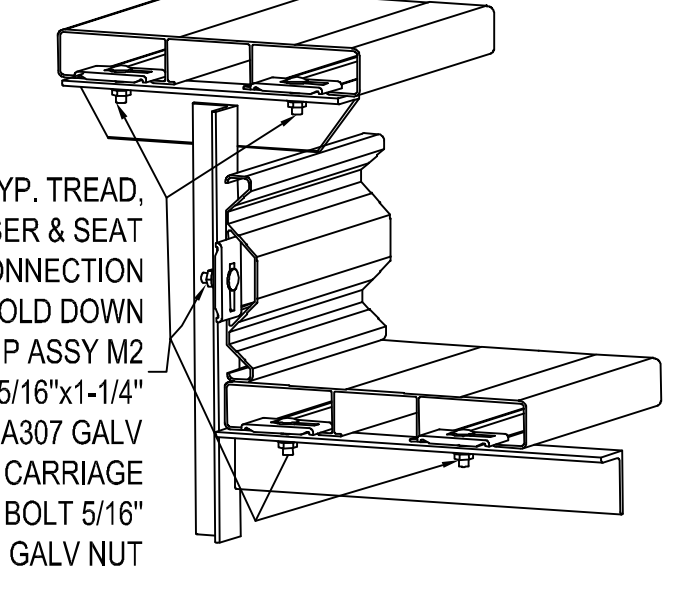


ALUMINUM LEGEND
SCALE: 1"=1'-0"



END CAP ASSEMBLY
N.T.S.

1. LOCATE THE CHANNEL END CAP AS SHOWN. WITH THE WIDER FLANGE ON THE BOTTOM.
2. TAP THE CHANNEL END CAP INTO PLACE WITH A RUBBER Mallet.
3. MECHANICALLY FASTEN W/ (2) #6 - 5/16" x 3/8" GRIP POP RIVET THRU BOTTOM OF END CAP THRU BOTTOM OF PLANK.

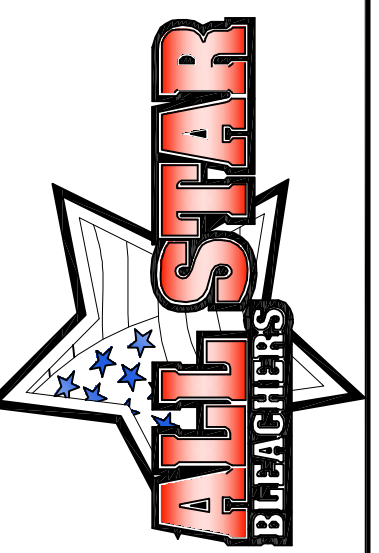


TYP PLANK CONNECTION
N.T.S.

PART LIST		TTL WT: 842		TTL WT: 842			
QTY	All Star Part #s	SEATS PER UNIT: 42	DESCRIPTION	UM FT	INCHES	EACH WEIGHT	EXTNDD WEIGHT
STRUCTURE							
3	AA5D	8" Rise, 5 Row Bleacher Frame Assembly		1		28.23	84.70
1	AA5DC	8" Rise, 5 Row Bleacher Frame (Closed)		1		29.92	29.92
XBRACING							
2	A5F0423	1/4"x 2" X-Brace Plate (AL) 3'-8 3/8"		1		2.17	4.34
2	A5F0455	1/4"x 2" X-Brace Plate (AL) 3'-11 5/8"		1		2.33	4.66
4	A5F0602	1/4"x 2" X-Brace Plate (AL) 5'-2 1/4"		1		3.05	12.18
4	A5F0625	1/4"x 2" X-Brace Plate (AL) 5'-4 5/8"		1		3.16	12.64
MISCELLANEOUS							
4	A5BLU24T	2"x 2"x 3/16"x 1'-10 1/2" (5 Notches)		1		1.58	6.32
4	A8ABP	8" Rise, Fence Back Post (To Grade)		1		13.21	52.82
1	A8ALEP	8" Rise, Fence Left End Post- SB10 Mount		1		8.59	8.59
1	A8ARAP	8" Rise, Fence Right Aisle Post		1		10.20	10.20
RAILING							
2	AGRB	Aluminum Grab Rail Bracket		1		0.55	1.11
2	AHR-15	1.66" O.D. HR Pipe- 15'-2 1/2" Long		1		8.27	16.55
2	AHR-4.1013	1.66" O.D. HR Pipe- 4'-10 13/16" Long		1		2.67	5.33
2	AHR-4.1009	1.66" O.D. HR Pipe- 4'-10 9/16" Long		1		2.66	5.31
2	AHR-4.205	1.66" O.D. HR Pipe- 4'-2 5/16" Long		1		2.28	4.56
2	AHR-4.201	1.66" O.D. HR Pipe- 4'-2 1/16" Long		1		2.27	4.54
1	A8AEAGR	8" Rise, 1 1/4" End Aisle Grab Rail		1		9.89	9.89
4	ASGRBBP	1/4"x 2" Lg. Grab Rail Spacer Plate- 2 3/4"		1		0.14	0.54
1	AMPG005	1/4"x 5"x 9" Anchor Plate (4) 7/16" H		1		1.10	1.10
FENCING / PICKET							
2	ATB48	48" Long Tension Bar		1		1.46	2.92
4	ATB60	60" Long Tension Bar		1		1.84	7.36
52	ARF015	8 1/4" Long Aluminum Tie Wire		1		0.01	0.73
18	ATB01	1 5/8" Tension Band		1		0.14	2.52
1	ARF008	1 5/8" Dome Cap		1		0.06	0.06
12	ARF019	1 5/8" Heavy-Duty Rail Strap		1		0.31	3.72
1	AF48G9-16	48" Fence x 16'-0" Long GALVANIZED		1		46.56	46.56
1	AF54G9-8	54" Fence x 8'-0" Long GALVANIZED		1		26.00	26.00
2	ARF032	#32 Tee		1		0.55	1.10
6	ARF080	#80 Adjustable Elbow		1		1.20	7.20
2	ARF085	#85 Side Outlet Adjustable Elbow		1		1.40	2.80
MISC. HARDWARE							
18	AB006	5/16x 1-1/4" Long A307 Carriag Bolt GALV		1		0.04	0.72
10	AB010	3/8"x 1-1/4" Long A307 Carriag Bolt GALV		1		0.08	0.80
8	AB026	3/8"x 1 1/4" Long A307 Bolt GALVANIZED		1		0.07	0.56
2	AB028	3/8"x 2" Long A307 Bolt GALVANIZED		1		0.09	0.18
4	AB031	3/8"x 3" Long A307 Bolt GALVANIZED		1		0.12	0.48
9	AB040	1/2"x 1 1/4" Long A307 Bolt GALVANIZED		1		0.18	1.60
4	AB079	#12x 1 1/4" Tek 5 HH Screw w/ Neoprene		1		0.01	0.04
1	AB087	#64 3/16"x 3/16" Grip Pop Rivet ALUMINUM		1		0.00	0.00
16	AB134	3/16"x1/4" Grip BLACK Pop Rivet ALUMINUM		1		0.00	0.02
130	AM2	Tie Down Assembly		1		0.10	13.00
18	AN02	5/16" Nut GALVANIZED		1		0.01	0.18
46	AN04	3/8" Nut GALVANIZED		1		0.01	0.46
9	AN07	1/2" Nut GALVANIZED		1		0.04	0.36
46	AW23	3/8" Flat Washer GALVANIZED		1		0.02	0.92
9	AW26	1/2" Flat Washer GALVANIZED		1		0.04	0.36
MISC. ALUMINUM							
10	AEC10	End Cap for 10" Plank		1		0.23	2.31
4	AEC19	1 3/4" MF Channel End Cap- 1'-7 1/4"		1		0.60	2.40
4	AEC23	1 3/4" MF Channel End Cap- 1'-11 7/8"		1		0.74	2.98
8	AEC5	End Cap for 5" Plank		1		0.11	0.86
ALUMINUM							
1	AA10-15	10" ANODIZED Plank- 15'-0" Long		1		27.92	27.92
4	AA10-12	10" ANODIZED Plank- 12'-0" Long		1		22.33	89.32
5	ARB6-15	6" ANODIZED Riser Board- 15'-0" Long		1		16.23	81.15
8	AM10-15	10" Mill Finish Plank- 15'-0" Long		1		27.92	223.32
4	AM5-3	5" Mill Finish Plank- 3'-0" Long		1		3.34	13.36
4	ANOS36	1"x 1"x 1/8"x 3'-0" Tread Nosing (BLACK)		1		0.71	2.84

- NOTE:**
- ALL PART & HARDWARE NUMBERS ARE ALL STAR BLEACHERS INTERNAL NUMBERS ONLY.
 - THESE FRAMES ARE DESIGNED FOR DOUBLE FOOTBOARDS.
 - FOR OPTIONAL TIP-N-ROLL KIT USE PART NUMBER ATNR-15.
 - FOR OPTIONAL TOW KIT USE PART NUMBER ATK8-15.
 - FOR OPTIONAL WEDGE ANCHORS USE PART AWAK-15

Penco Products, Inc.
2024 Cressman Road
Shippack, PA 19474
(800) 875-3141



This drawing is the property of All Star Bleachers. The information contained within is proprietary. Unauthorized reproduction through either mechanical or electronic medium is prohibited without the express written consent of All Star Bleachers.

5-Row x 15'-0" Long

AA5D15
Aluminum 5-Row x 15'-0" Long Bleacher
8" Rise x 24" Deep Double Treads

DRAWN BY: BKJ DATE: 4-21-08
CHK'D BY: DATE:
SCALE: NOTED
JOB NUMBER: STANDARD
SHEET NUMBER: AA5D15
Rev.: 0

